

Product Information

12/14/2009
 By: KR D

Torque Wrench Checker with Table Mount



Mounting Kit for STE200/400

Can be bolted to a table or a right angle bracket. 3/8" male end on STE200 is held in base with two set screws allowing for ease of removal for annual recalibration



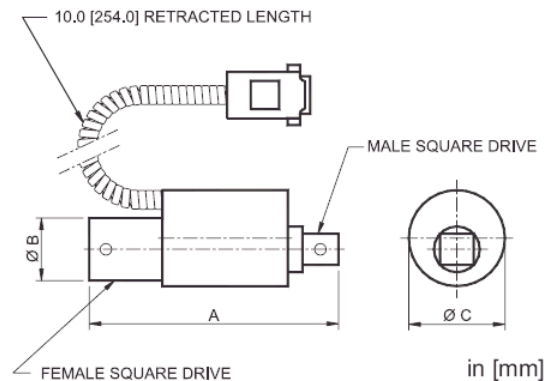
BGI Specifications

Accuracy:	± 0.1% of full scale ± 1 digit + sensor
Sampling rate:	65 readings/s
Display rate:	2.5 updates/s in normal mode / 65 updates/s in peak mode
Power:	AC or rechargeable battery with Intelligent Power Management System (IPM), a 3-step system that warns the user via a "LO BAT" indicator and then powers off the gauge.
Battery life:	8-10 hours of continuous use
Selectable units of measurement:	lb, kg, g, N, ozin, lbFin, kgFmm, kgFm, Ncm, Nm (depending on sensor)
Outputs:	Standard
RS-232	Fully configurable up to 9600 baud. Includes Gauge Control Language (GCL) for full computer control of all functions.
Mitutoyo (Digimatic)	Serial BCD suitable for all Mitutoyo SPC-compatible devices
Analog	± 1 VCD, ± 0.25% of full scale at capacity. + CW, - for CCW.
General purpose I/O	Three open collector outputs and one input (utilizing Mitutoyo lines)
Set points	Three open collector lines (utilizing Mitutoyo lines)
Configurable settings:	Analog filters, digital filters, RS-232, outputs selection (other than RS-232), automatic output (RS-232), automatic shutoff, initial (default), averaging mode, calibration
Weight (gauge only):	0.9 lb [0.4 kg]
Environmental requirements:	40° F - 100° F [5° C - 45° C], < 96% humidity (non-condensating)
Thermal effects:	Zero: 0.03% of full scale/°C, Span: 0.01% of full scale/°C for all remote sensors
Housing construction:	Aluminum
Warranty	3 years (see individual statement for further details)

Wrench Extension Torque Sensors Series STE



Convert any wrench to a torque tool with this sensor, or use it as a component of a torque testing system. Capacities available from 20 lbFin to 5,000 lbFin.



Specifications

Accuracy:	± 0.6% of full scale + BGI
Safe overload:	150% of full scale
Weight:	0.6 - 2.0 lb [0.3 - 0.9 kg], depending on model

Ordering Information

Model No.	A	ØB	ØC	Drive Size
STE200 - STE400	3.00 [76.2]	0.73 [18.5]	1.12 [28.6]	3/8"